



NS&DNS CT Quick Install Instruction



GOODWE
your solar engine



CT Working Principle & Connection



Power Limit Configuration

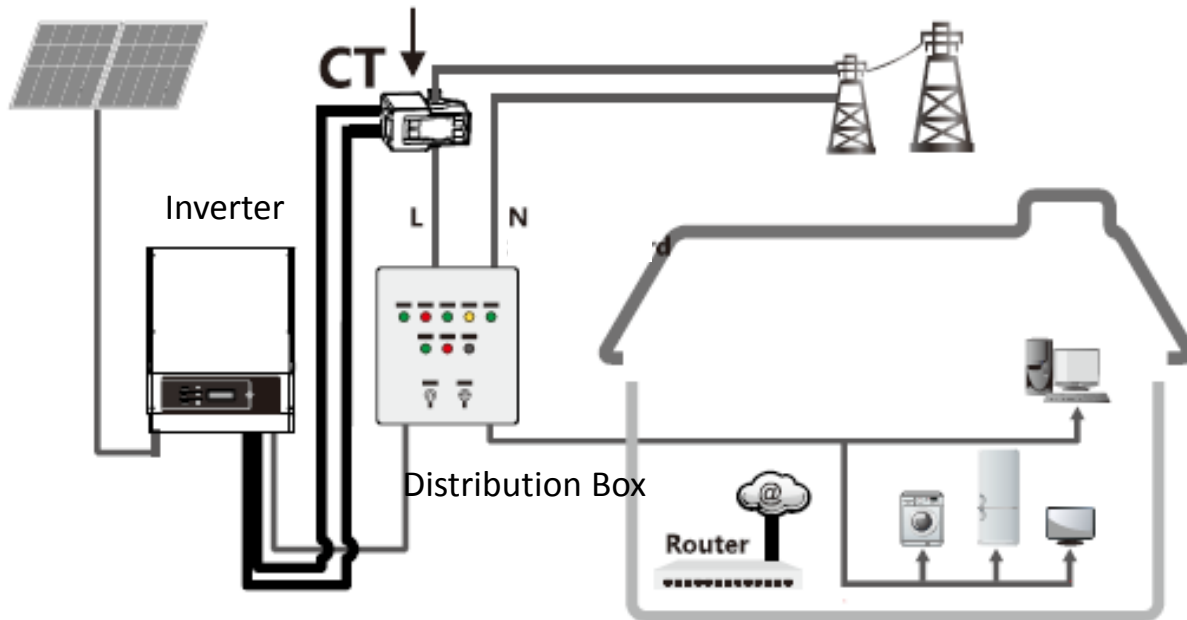


CT Working Principle & Connection



GOODWE
your solar engine

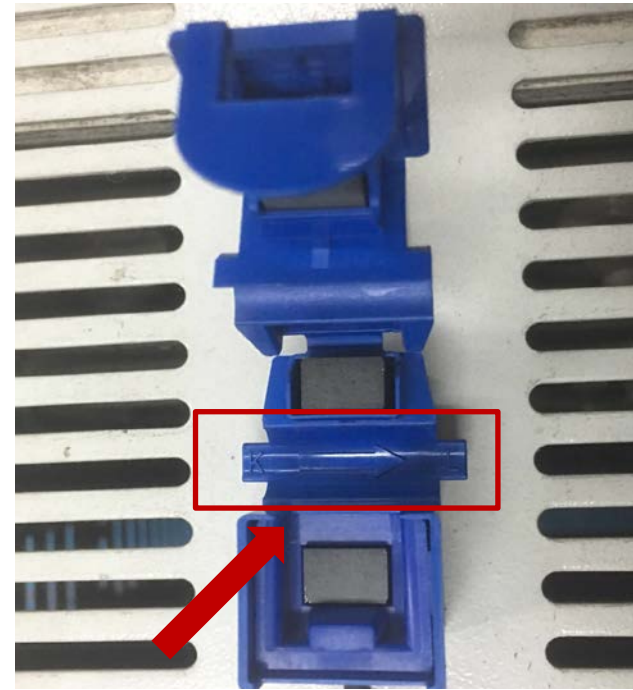
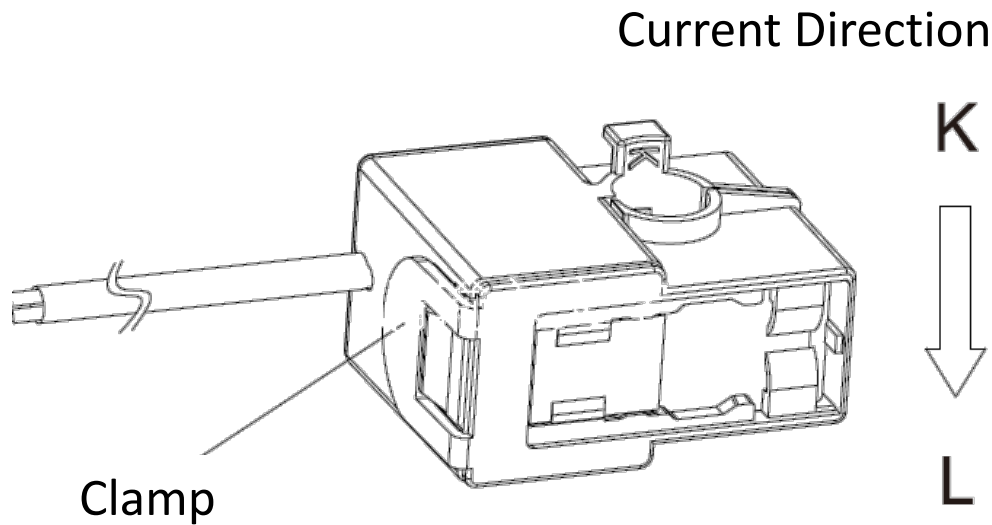
CT is used for monitoring power transferring from inverter to grid . CT is connected to inverter , and firing line goes through it as Picture 1 showed below.



Picture 1



Open CT clamp and let the firing line which connected distribution box and grid go through it . There is K to L mark in CT which means the current direction . This direction cannot be wrong.

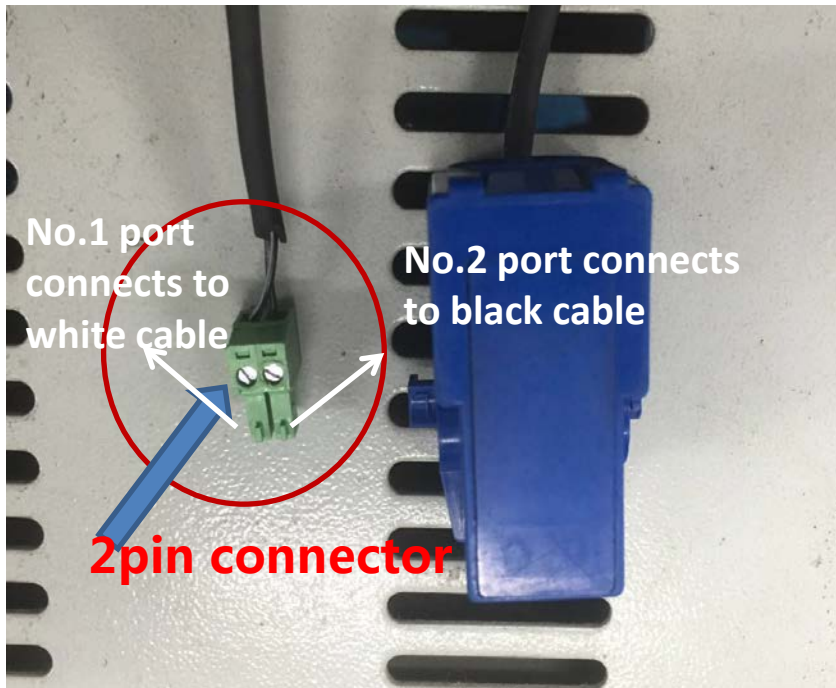


Current Direction K → L (Load → Grid)

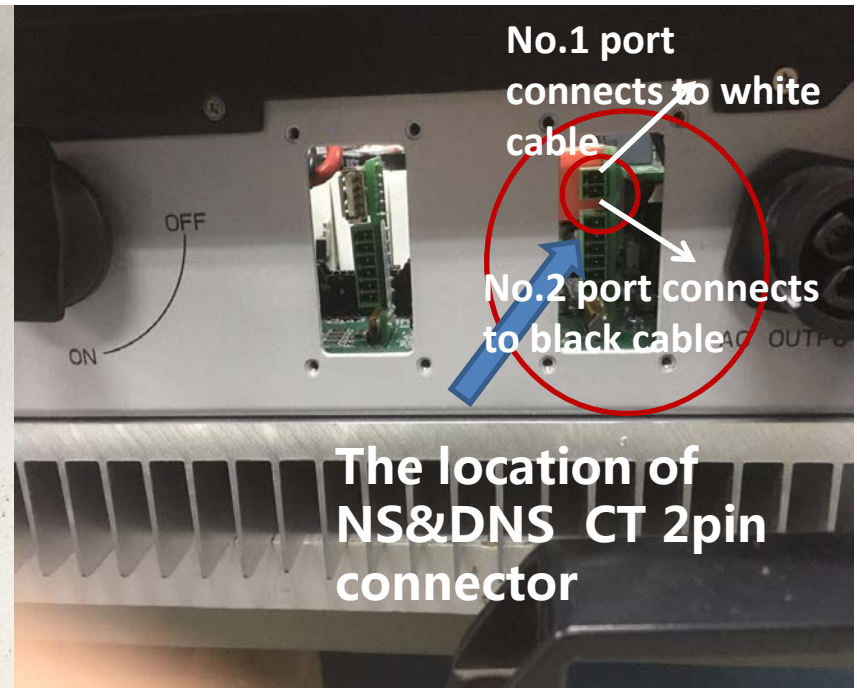
Picture 2

The white cable on CT connects to the No.1 port of 2pin connector , the black cable on CT connects to the No.2 port of 2pin connector . Please make sure the connection is right as Picture 3 & 4 showed below.

Note : You will have to finish the connection of 2pin connector yourself on site.



Picture 3



Picture 4



Power Limit Configuration



When the screen displays the level 1 menu , please short press 'Enter' button to find out 'Power Limit OFF/ON' (the default setting is 'Power Limit OFF'), then long press the 'Enter' button to change 'Power Limit OFF' to 'Power Limit ON' as Picture 5 & 6 showed below.



Picture 5



Power Limit Configuration



GOODWE
your solar engine



Picture 6



Power Limit Configuration



After set 'Power Limit ON' , short press 'Enter' button to find power limit rate then long press 'Enter' button to find percentage of power limit setting , setting rate is from 0%-100% . When you set the parameter , the relevant area will blink.

Note : Power to grid = Inverter output power * Limitation percentage.



Picture 7

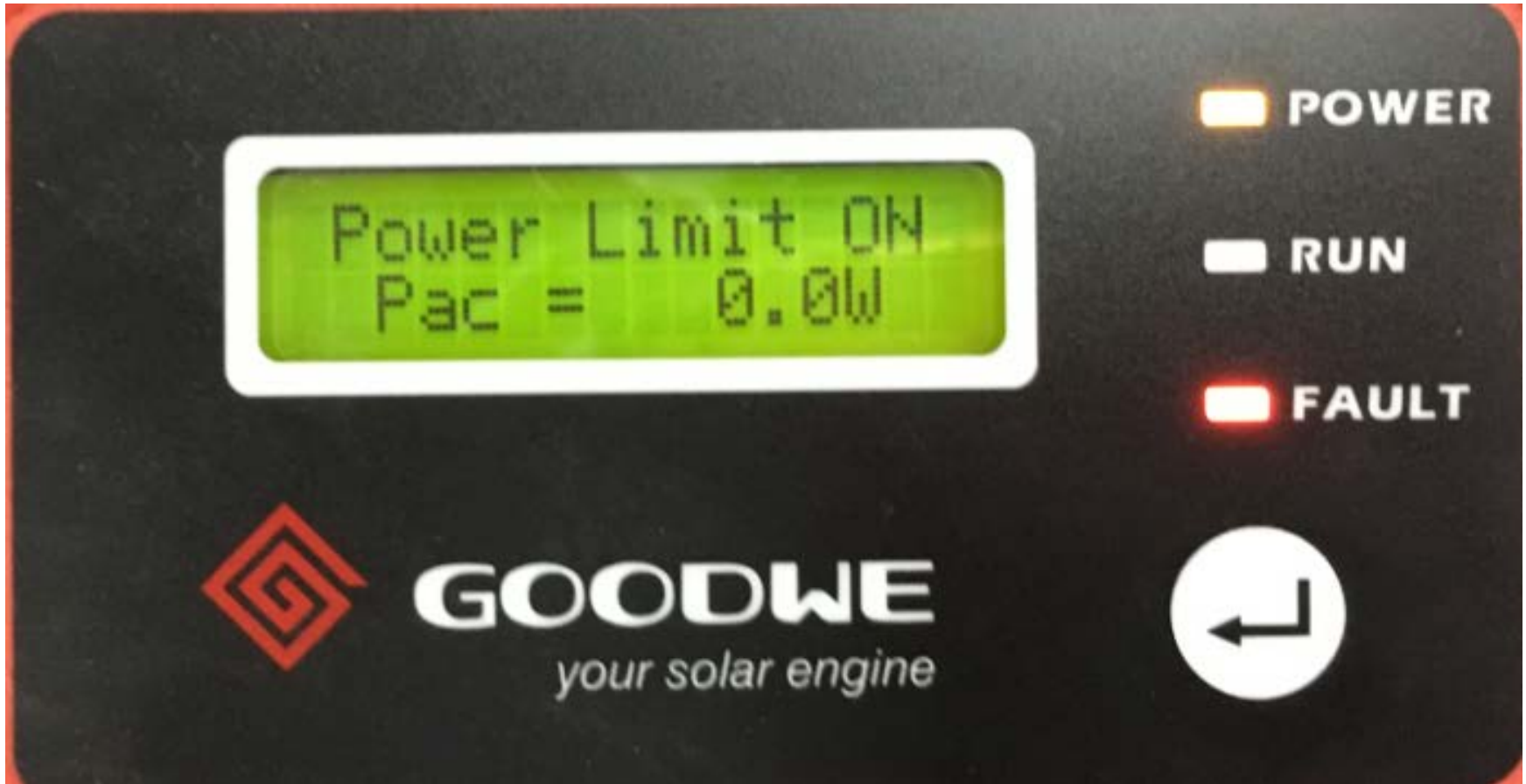


Power Limit Configuration



GOODWE
your solar engine

After install CT and set power limit , you will see the inverter output power $P_{ac} = \text{load power} + \text{limited max power}$ as picture 8 showed below.



Picture 8



QA



GOODWE
your solar engine

Q1: What is the tolerance for actual output of NS&DNS after set power limit percentage?

A1: Normally about 3% (Eg. GW1000-NS , set power limit 10% then maximum limited power is about 70W—130W).

Q2: If the power limit percentage can be set to 000% for NS&DNS?

A2: Yes . But there is still less power transfer to grid.

Q3: What is the shrink ratio for CT?

A3: 1:1000

Q4: What is the length for CT communication line?

A4: It should be within 5m which R&D tested.



GOODWE
your solar engine

Thanks



GOODWE
your solar engine

